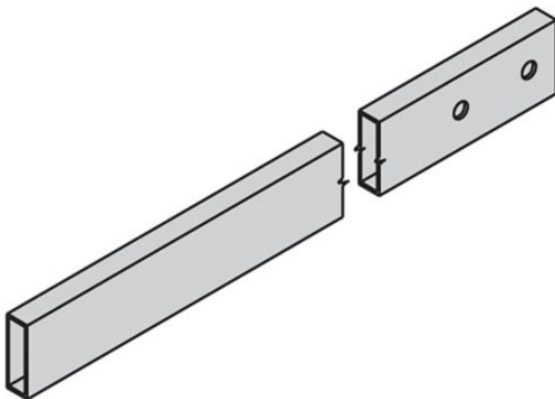


Eaton SB2003EYZ

Catalog Number: SB2003EYZ

Eaton auxiliary support kit, Steel, Yellow zinc finish, Used with 9/16-2" tube or channel, Spanner clip kit

General specifications



Product Name
Eaton auxiliary support kit

Catalog Number
SB2003EYZ

UPC
799038015659

Product Length/Depth
5 in

Product Height
4.5 in

Product Width
1.25 in

Product Weight
0.6 lb

Certifications
Not Applicable

Product specifications

Model

Spanner clip kit

Material

Steel

Finish

Yellow zinc chromate

Resources

Catalogs

[auxillary supports](#)

Specifications and datasheets

[Eaton Specification Sheet - SB2003EYZ](#)



Eaton Corporation plc
Eaton House
30 Pembroke Road
Dublin 4, Ireland
Eaton.com

© 2023 Eaton. All Rights Reserved.

Eaton is a registered trademark.

All other trademarks are property of their respective owners.



[Eaton.com/socialmedia](https://www.eaton.com/socialmedia)